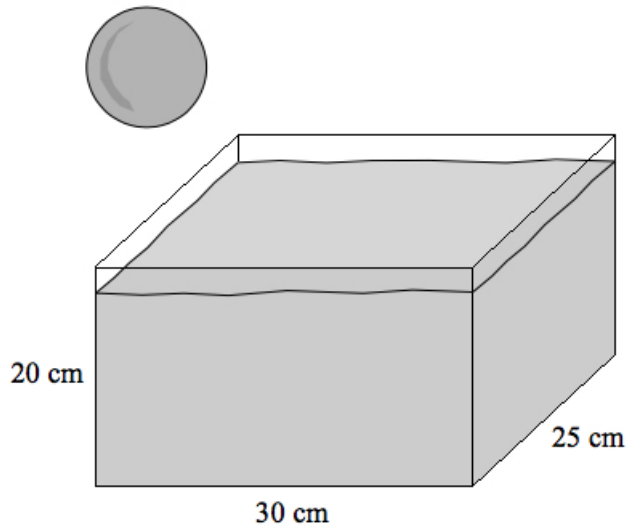


Dr Oliver Mathematics
Dr Oliver Mathematics
Lower and Upper Bounds: Part 1

1. Karl is setting up a fish tank.
The tank is in the shape of a cuboid measuring 30 cm by 25 cm by 20 cm.
These measurements are accurate.

(6)



Karl has filled the tank with water to a depth of 18 cm, correct to the nearest centimetre.

Karl has an ornament in the shape of a sphere.
The radius of the sphere is 6 cm, correct to the nearest centimetre.

Karl puts the ornament into the tank.

Find out if there is any risk of the water overflowing.

Dr Oliver Mathematics

Dr Oliver Mathematics